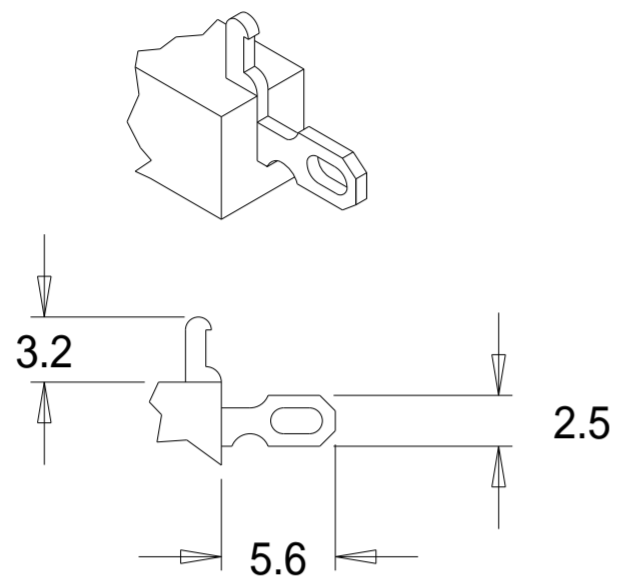


TBS 600 Range Terminals (Solder/Fast-on Type)

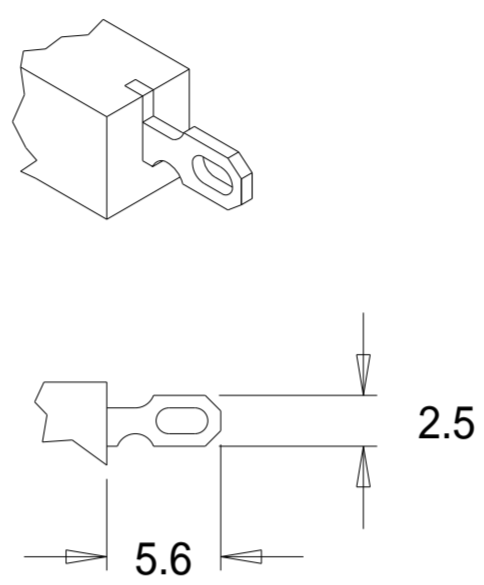
TBS-602

Matl. 0.6



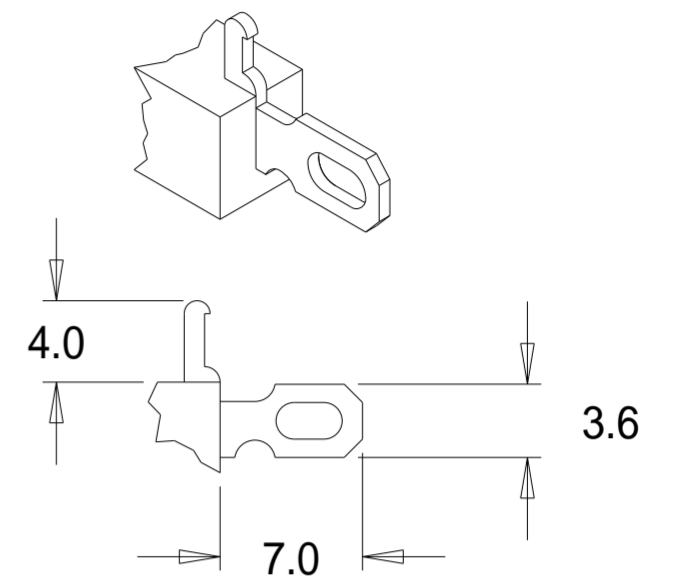
TBS-603

Matl. 0.6



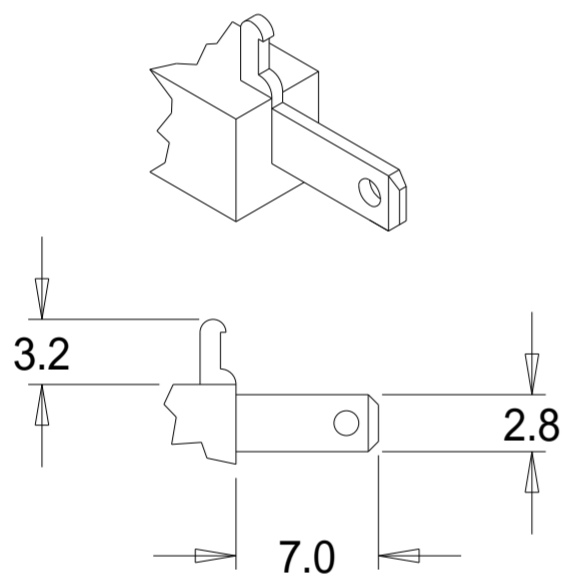
TBS-604

Matl. 0.6



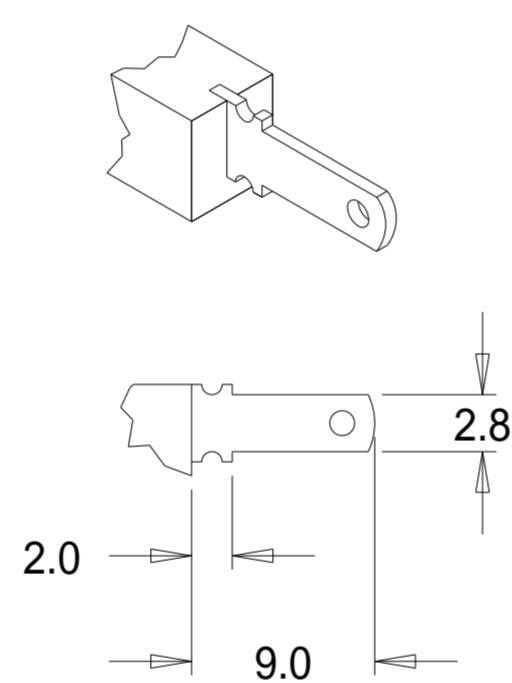
TBS-605

Matl. 0.5



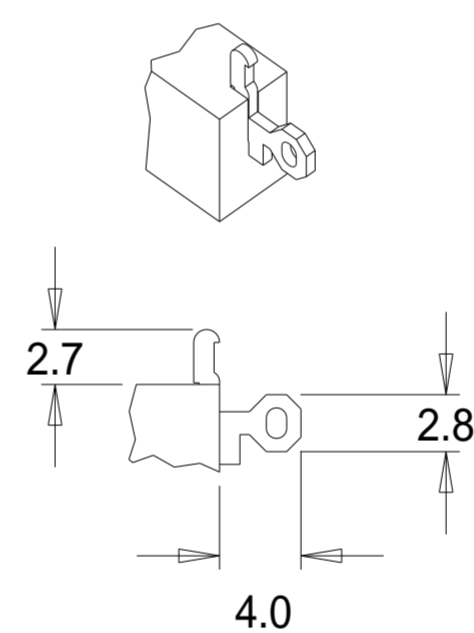
TBS-606

Matl. 0.6



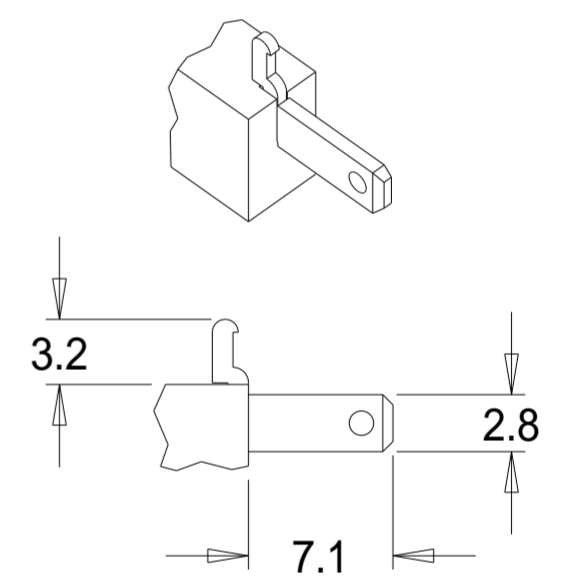
TBS-622

Matl. 0.6



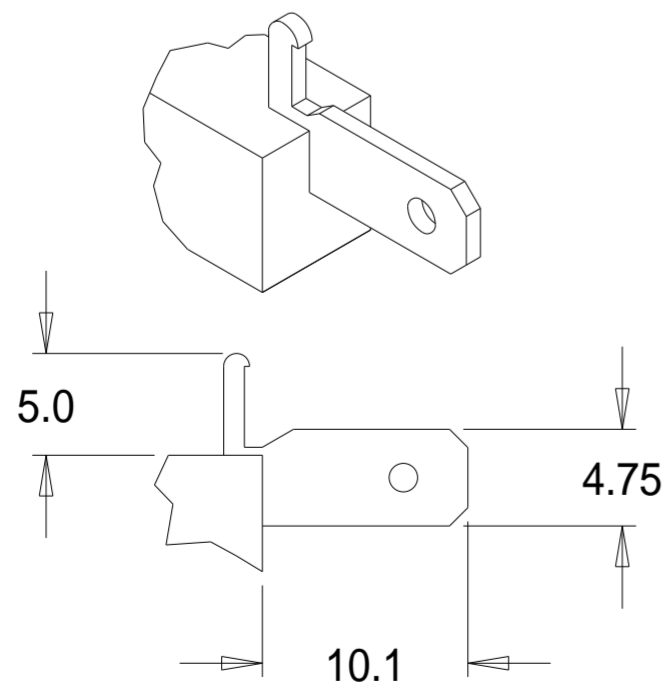
TBS-628

Matl. 0.8



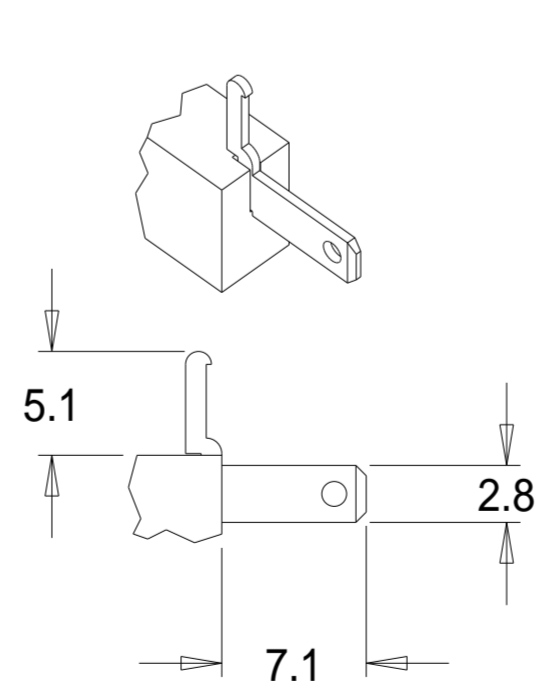
TBS-648

Matl. 0.8



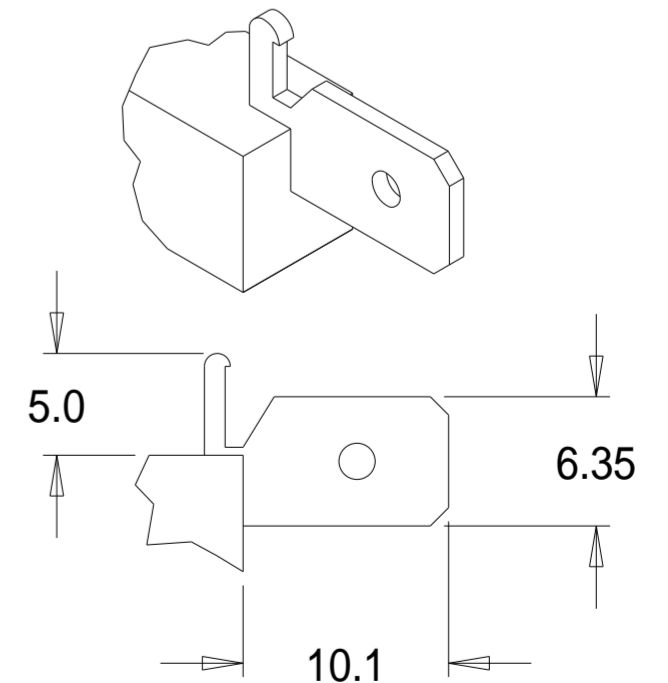
TBS-655

Matl. 0.5



TBS-664

Matl. 0.8



Dimensions in millimetres.

